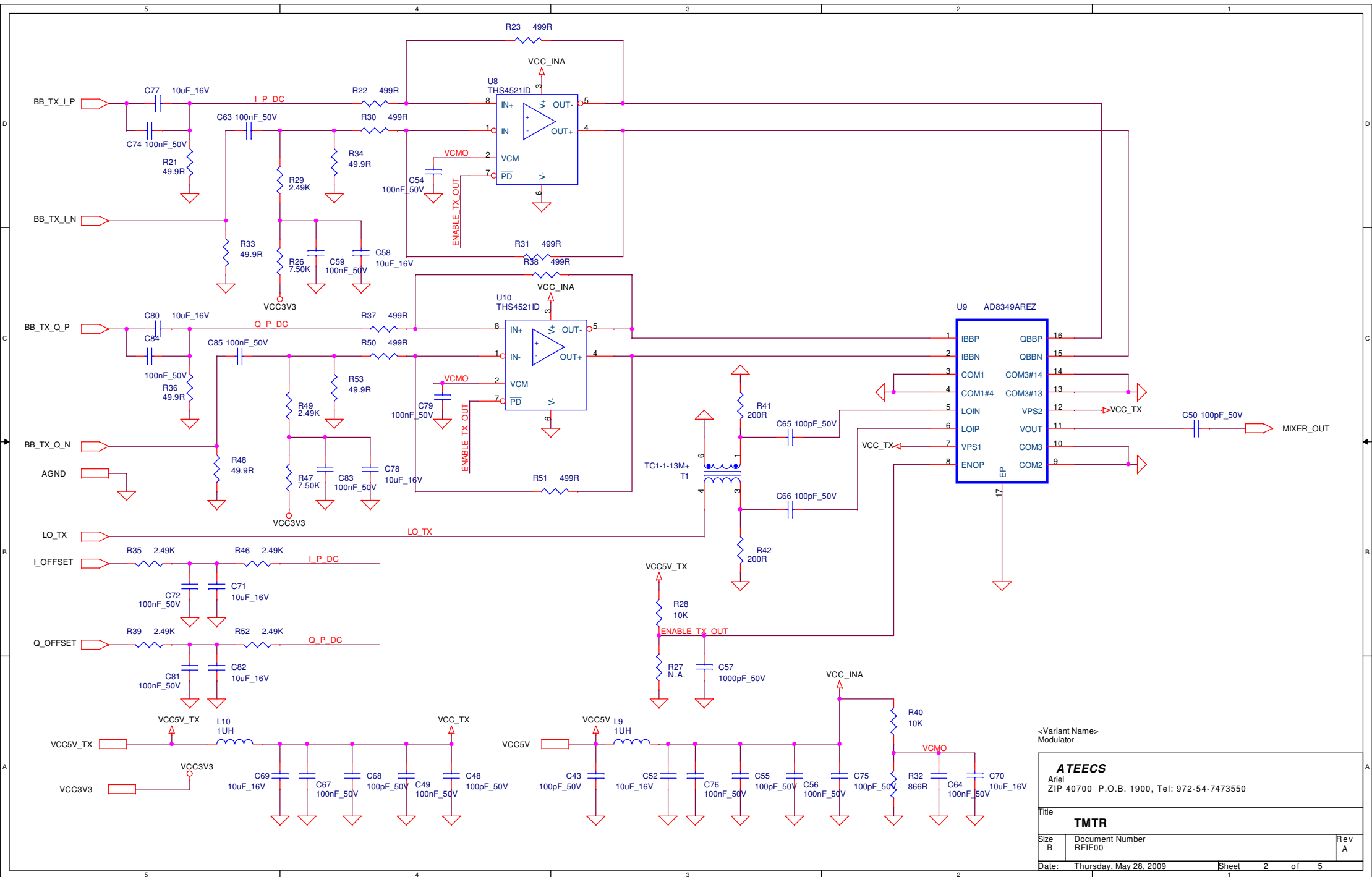


<Variant Name>

<b>ATEECS</b> Ariel ZIP 40700 P.O.B. 1900, Tel: 972-54-7473550		
Title <b>TMTR</b>		
Size B	Document Number RFIF00	Rev A
Date: Thursday, May 28, 2009	Sheet 1 of 5	



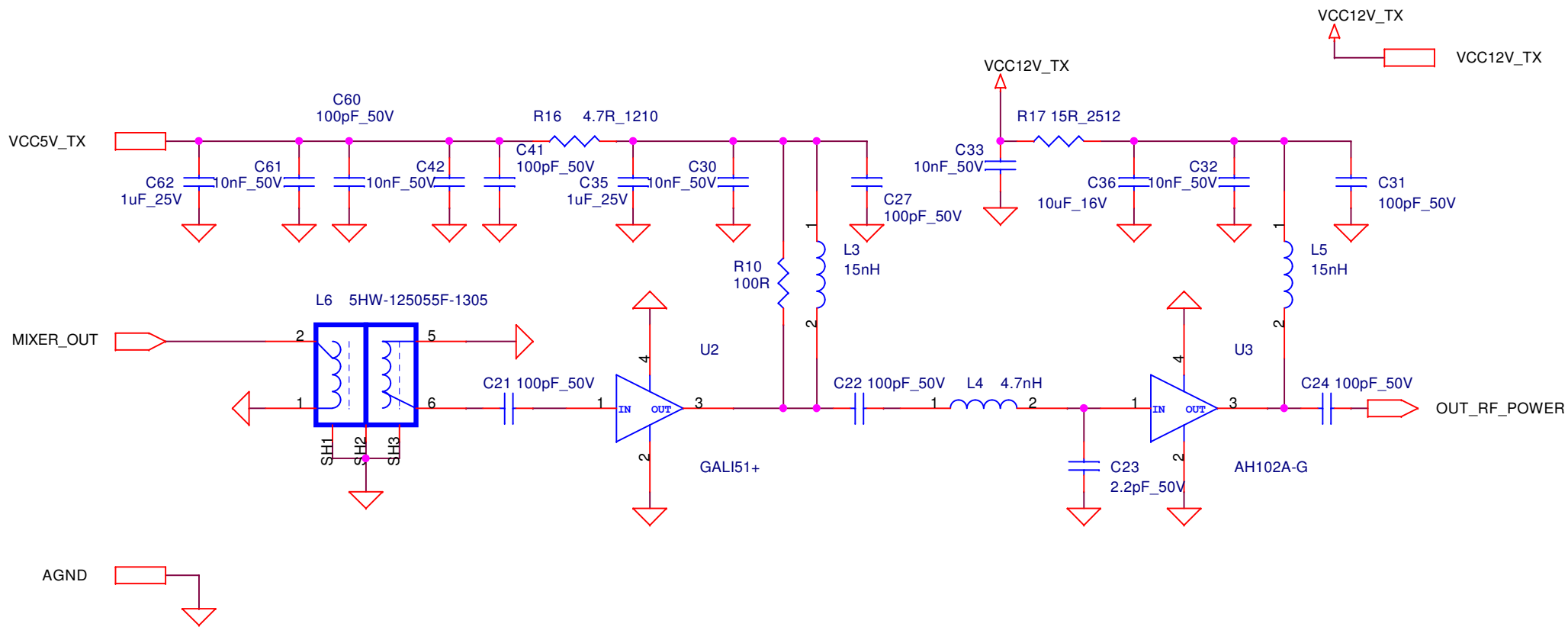
<Variant Name>  
Modulator

**ATECS**  
Ariel  
ZIP 40700 P.O.B. 1900, Tel: 972-54-7473550

Title  
**TMTR**

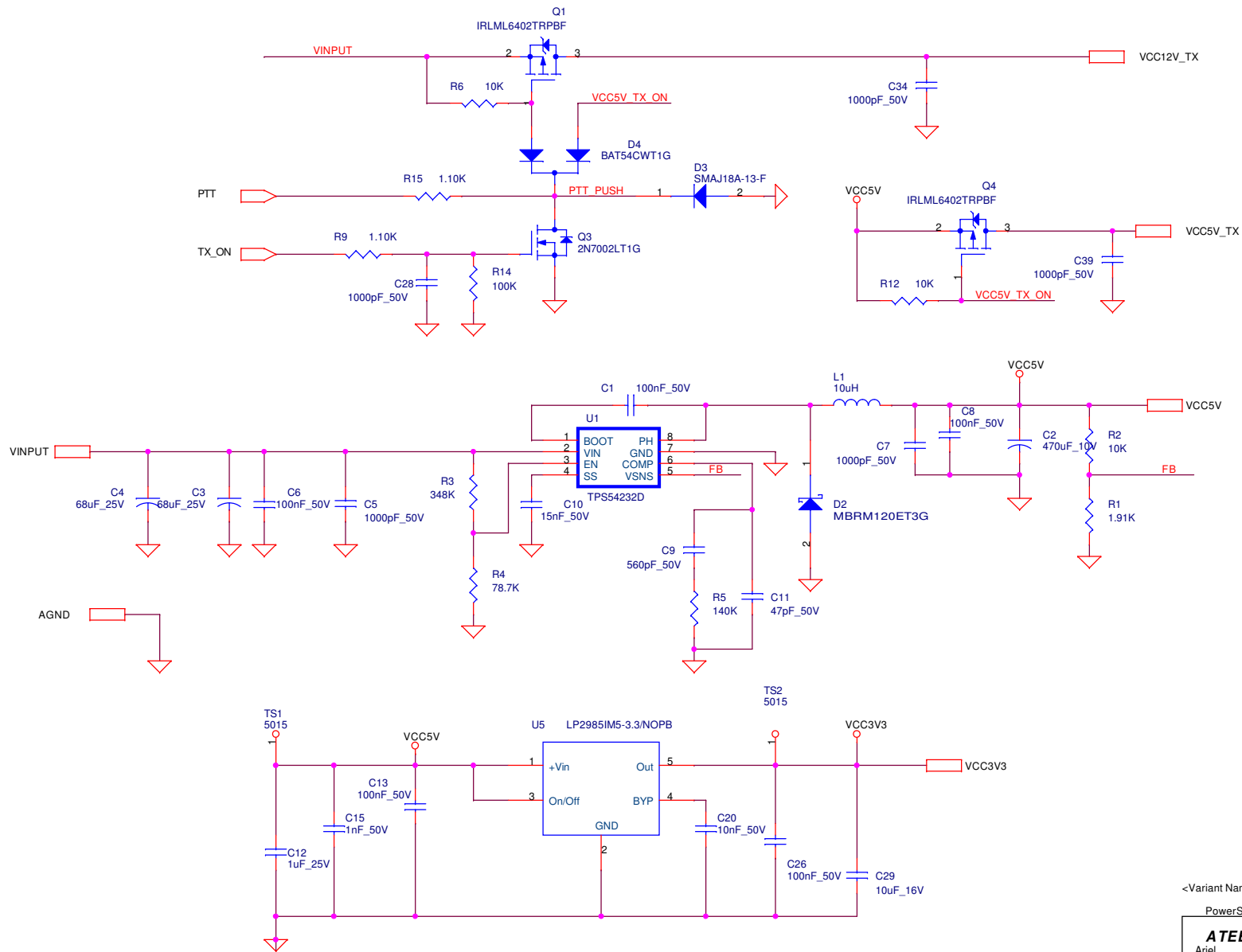
Size B	Document Number RFIF00	Rev A
-----------	---------------------------	----------

Date: Thursday, May 28, 2009      Sheet 2 of 5



<Variant Name>  
RF OUTPUT AMPLIFIER

<b>ATEECS</b> Ariel ZIP 40700 P.O.B. 1900, Tel: 972-54-7473550		
Title <b>TMTR</b>		
Size A	Document Number RFIF00	Rev A
Date:	Thursday, May 28, 2009	Sheet 3 of 5



<Variant Name>

PowerSupply

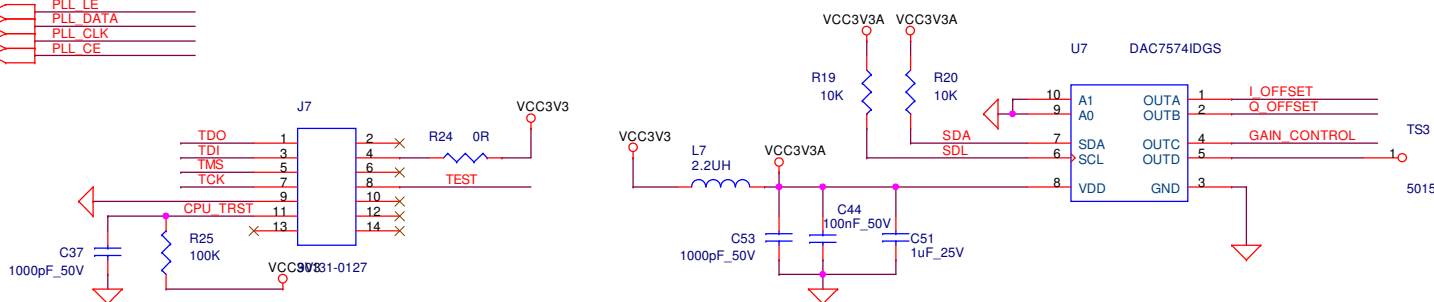
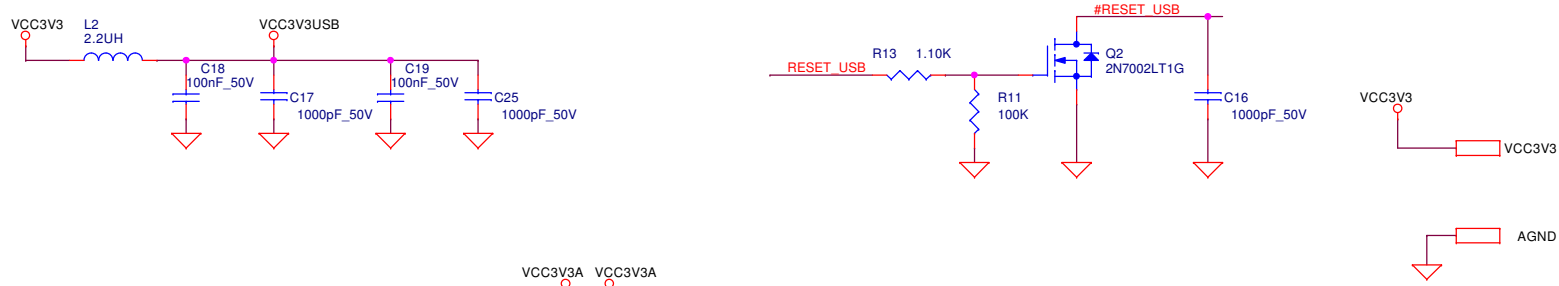
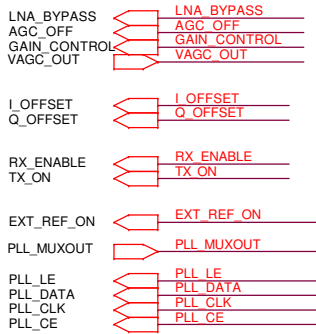
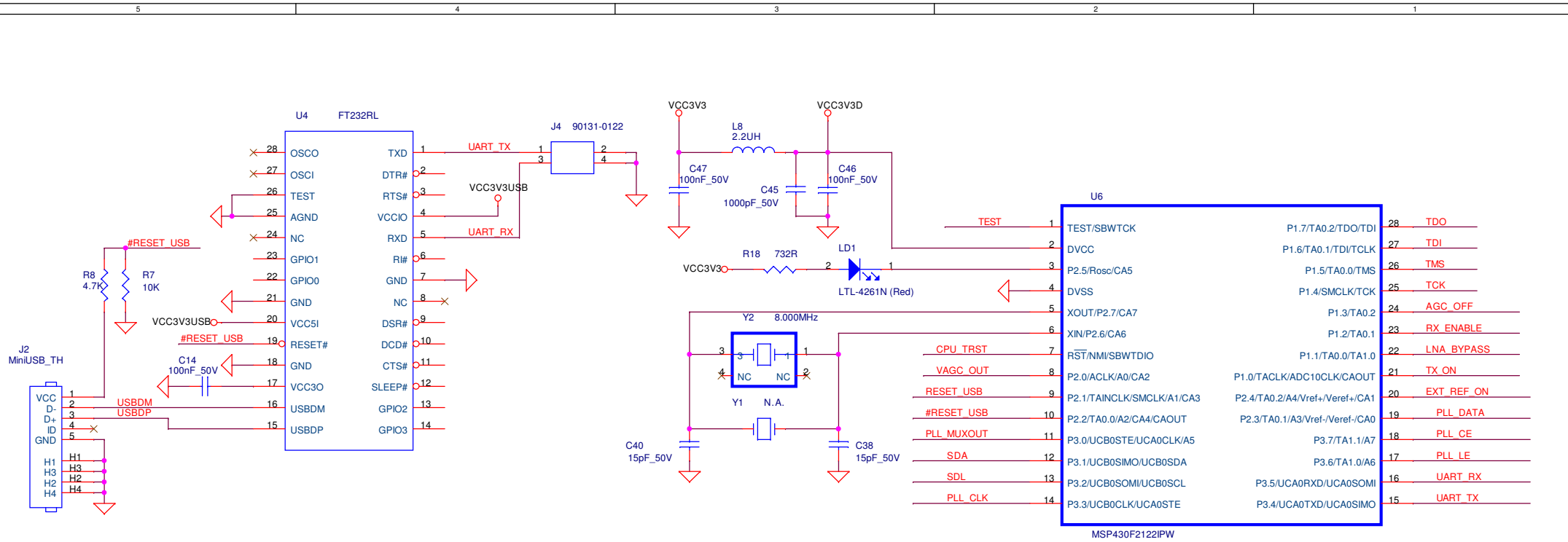
**ATECS**  
 Ariel  
 ZIP 40700 P.O.B. 1900, Tel: 972-54-7473550

Title

**TMTR**

Size B	Document Number RFIF00	Rev A
-----------	---------------------------	----------

Date: Thursday, May 28, 2009	Sheet 4 of 5
------------------------------	--------------



<Variant Name>  
CONTROL

<b>ATEECS</b> Ariel ZIP 40700 P.O.B. 1900, Tel: 972-54-7473550	
Title <b>TMTR</b>	
Size B	Document Number RFIF00
Date: Thursday, May 28, 2009	Sheet 5 of 5
	Rev A