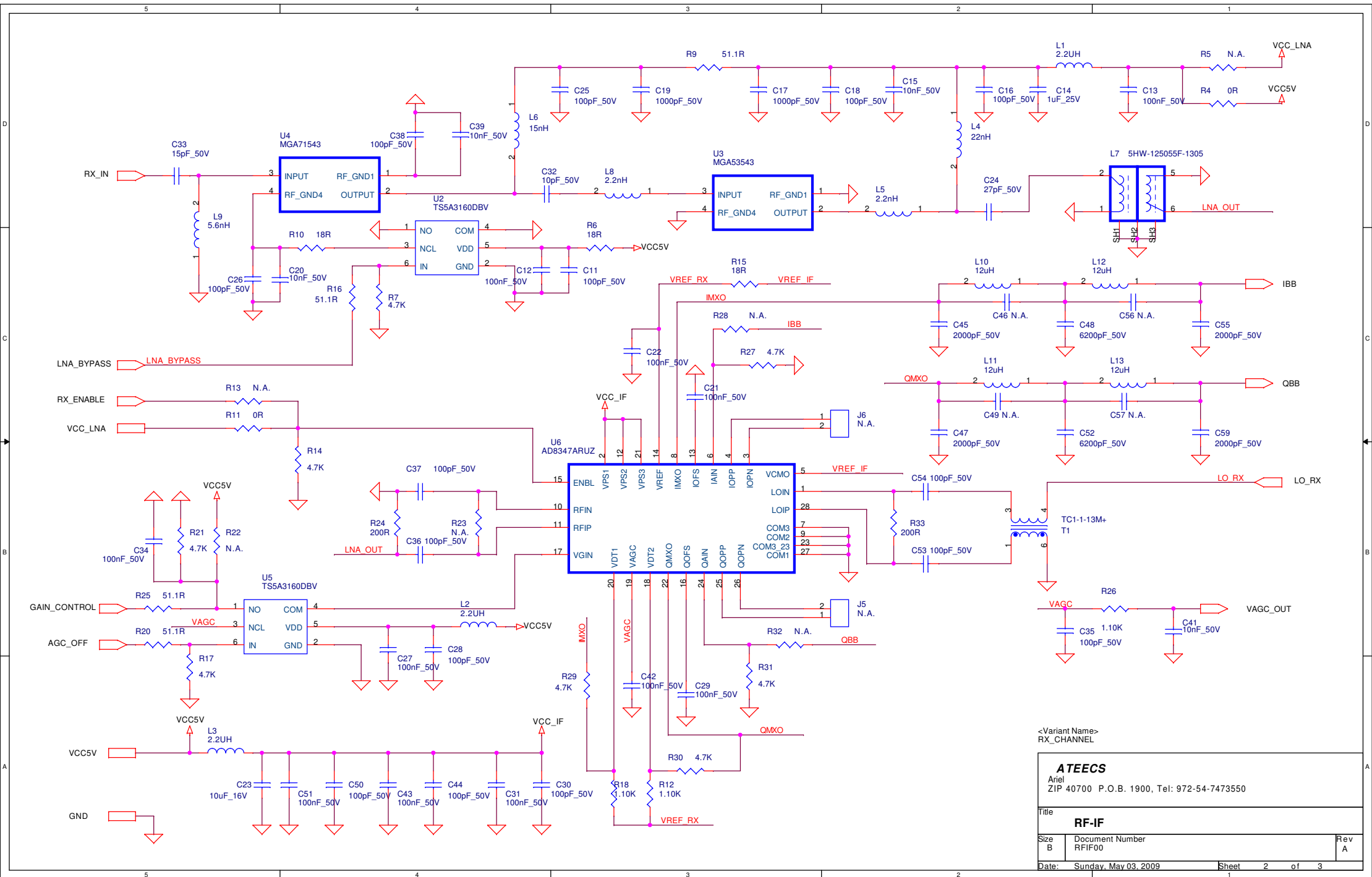


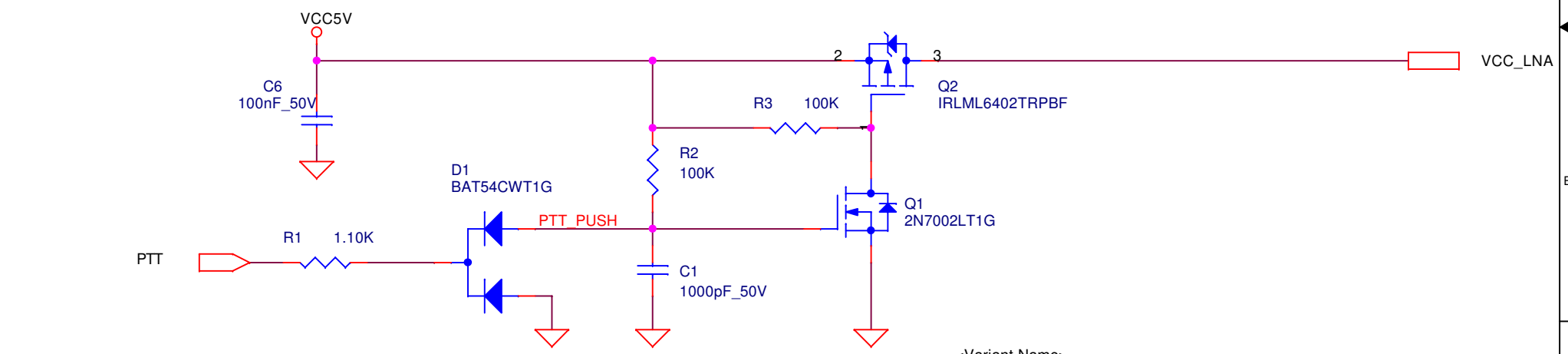
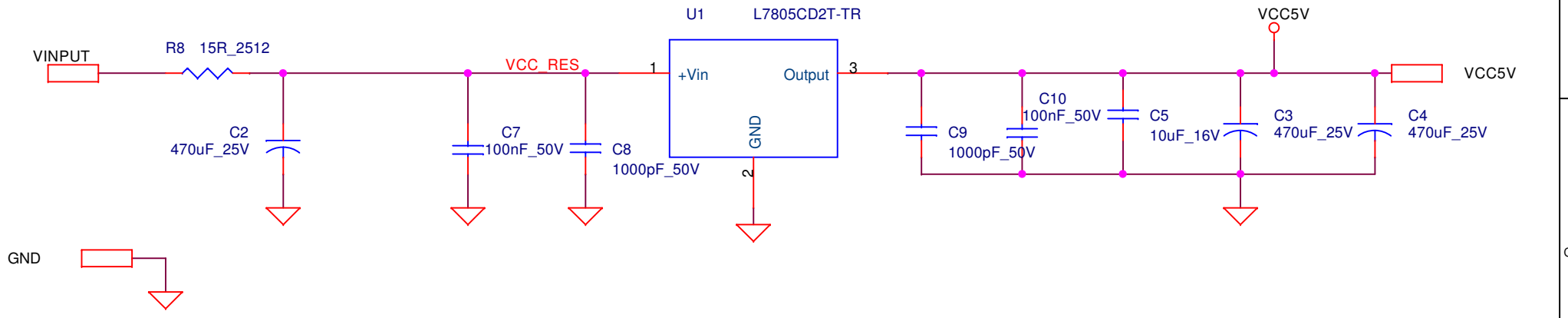
<Variant Name>

RCVR		
ATEECS		
Ariel ZIP 40700 P.O.B. 1900, Tel: 972-54-7473550		
Title		
RF-IF		
Size B	Document Number RFIF00	Rev A
Date: Sunday, May 03, 2009	Sheet	1 of 3



<Variant Name>
RX_CHANNEL

ATECS			
Ariel			
ZIP 40700 P.O.B. 1900, Tel: 972-54-7473550			
Title			
RF-IF			
Size	Document Number	Rev	
B	RFIF00	A	
Date:	Sundav, May 03, 2009	Sheet	2 of 3



<Variant Name>

PowerSupply		
ATEECS		
Ariel ZIP 40700 P.O.B. 1900, Tel: 972-54-7473550		
Title		
RF-IF		
Size A	Document Number RFIF00	Rev A
Date: Sunday, May 03, 2009	Sheet 3 of 3	