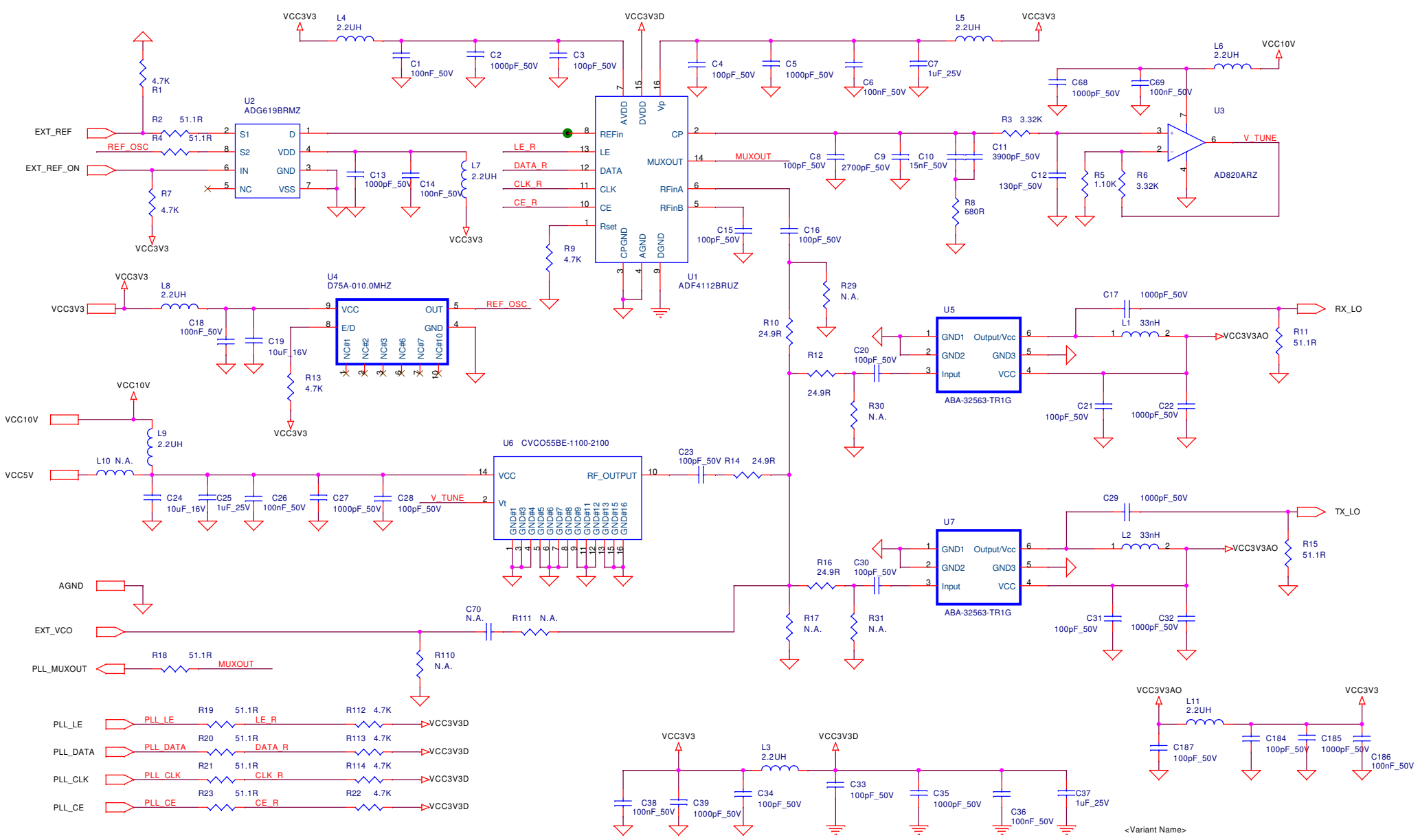


<Variant Name>

MAIN		
ATECS		
Ariel ZIP 40700 P.O.B. 1900, Tel: 972-54-7473550		
Title		
LO PLL		
Size	Document Number	Rev
A3	LOPLL00	A
Date:	Thursday, April 30, 2009	Sheet 1 of 3



<Variant Name>

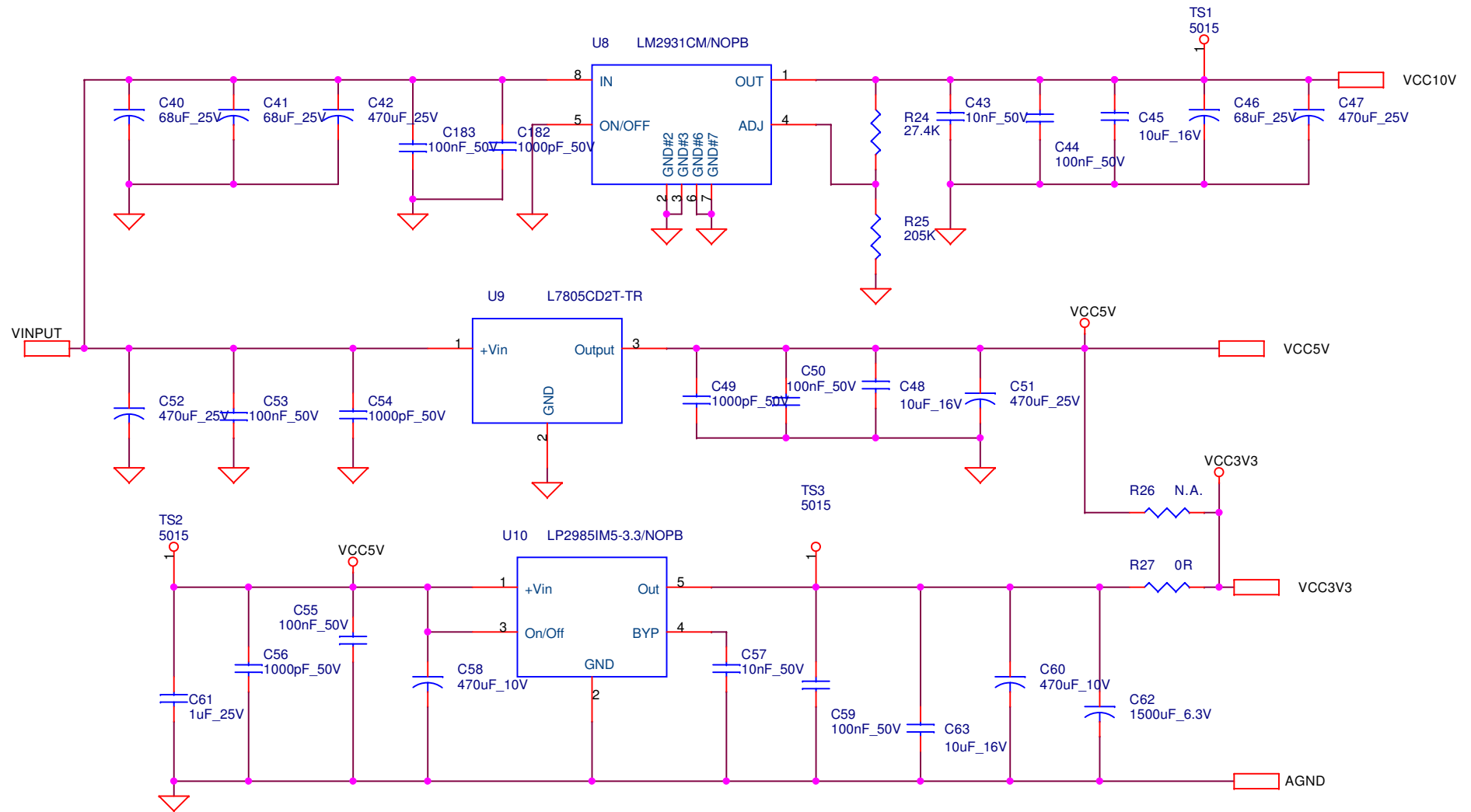
PLL LO

ATECS
Ariel
ZIP 40700 P.O.B. 1900, Tel: 972-54-7473550

Title
LO PLL

Size A3	Document Number LOPLL00	Rev A
------------	----------------------------	----------

Date: Friday, April 10, 2009 Sheet 2 of 3



Power Supply <Variant Name>

ATECS

Ariel

ZIP 40700 P.O.B. 1900, Tel: 972-54-7473550

Title

LO PLL

Size
A4

Document Number
LOPLL00

Rev
A

Date: Monday, March 30, 2009

Sheet 3 of 3